

RoHS Compliant

CT1102VS

Right Angle, Thru-Hole Tactile

Specifications

Electrical Ratings	50mA @ 50VDC	Dielectric Strength	250Vrms min
Electrical Life	100,000 cycles typical	Insulation Resistance	>100MΩ min
Contact Resistance	<50mΩ initial	Operating Temperature	-40°C to 85°C
Actuation Force	100 ± 50gF	Storage Temperature	-40°C to 85°C
	130 ± 50gF		
	160 ± 50gF		
	260 ± 50gF		
Acuation Travel	.25 ± .1mm		

Materials

Actuator	6/6 Nylon
Housing	6/6 Nylon
Cover	Steel, Tin Plated
Contacts	Phosphor Bronze, Silver Plated
Terminals	Brass, Silver Plated

Ordering Information

1. Series	CT1102VS2	9.85	F260
	CT1102VS1		
	CT1102VS2		
2. Actuation Length "L"			
	3.15 = 3.15mm		
	3.85 = 3.85mm		
	4.00 = 4.00mm **Only available for CT1102VS1		
	5.85 = 5.85mm		
	6.85 = 6.85mm		
	8.35 = 8.35mm		
3. Actuation Force:			
	F100 = 100gF		
	F130 = 130gF		
	F160 = 160gF		
	F260 = 260gF		

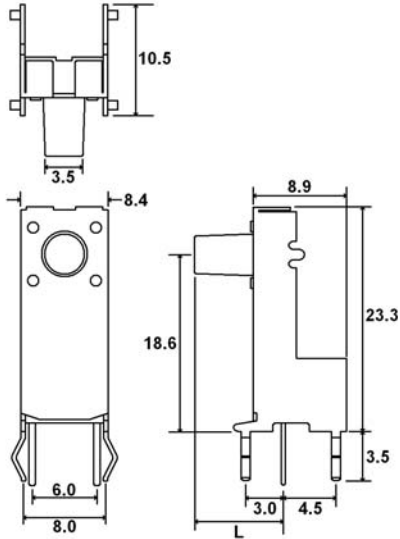
Specifications and availability subject to change without notice.

Dimensions shown in mm. Dimensions are shown for reference purposes only.

CT1102VS

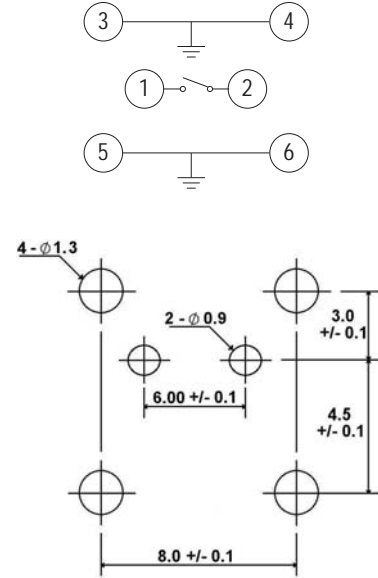
Right Angle, Thru-Hole Tactile

Dimensions

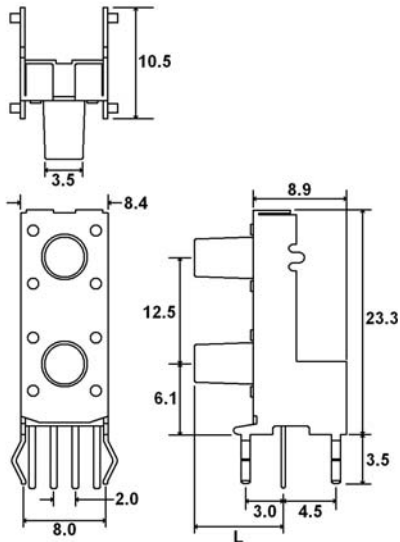


Part Number	"L" mm
CT1102VS114.0	14.0

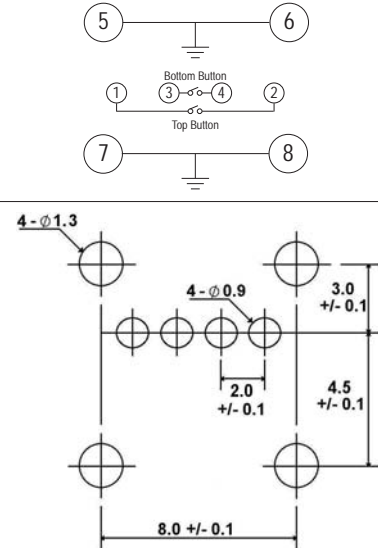
Schematic & PC Layout



Dimensions shown in mm. Dimensions are shown for reference purposes only.



Part Number	"L" mm
CT1102VS23.15	3.15
CT1102VS23.85	3.85
CT1102VS25.85	5.85
CT1102VS26.85	6.85
CT1102VS28.35	8.35



Specifications and availability subject to change without notice.